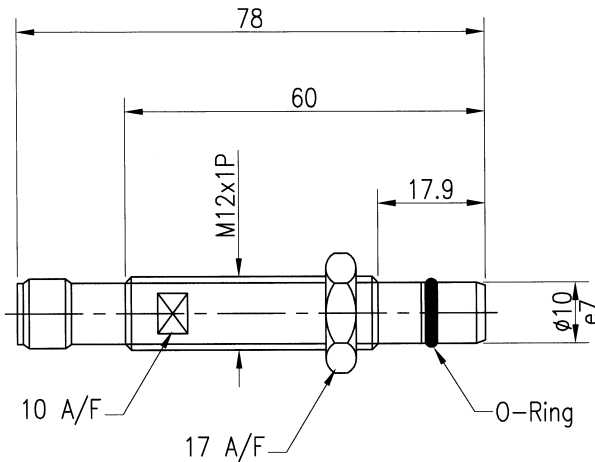
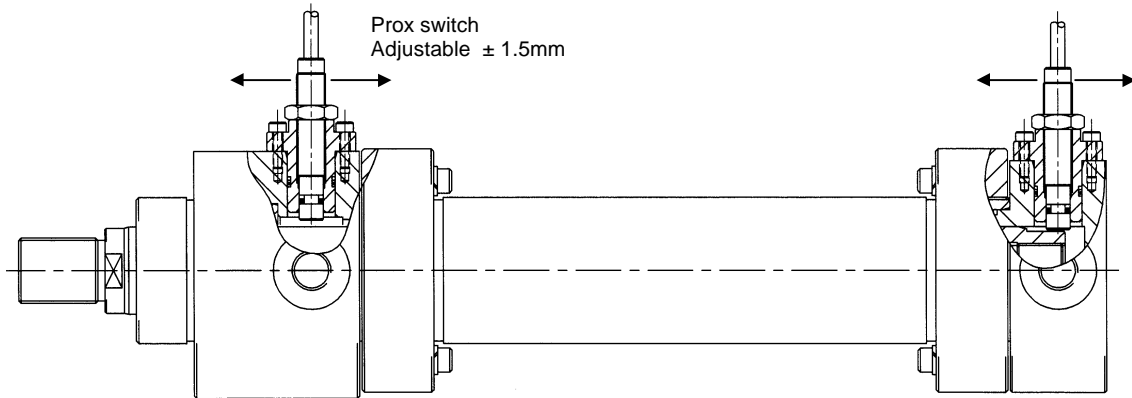
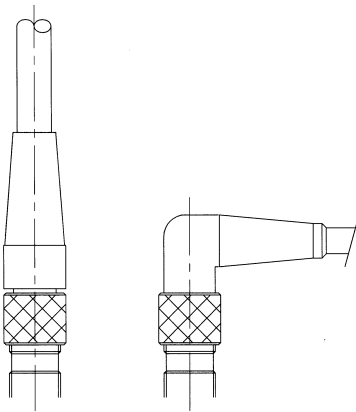


HYSTAT DATA SHEET

Proximity Switches



Typical switch:
Balluff type
Ref: BES 516-300-S 135-S 4-D
Various manufactures can be
supplied.



Straight
90°
Connector Details

Switches can be fitted to both ends of stroke as shown,
or one end only if required.

Typical input voltage = 24 V DC
Pressure rating = 500 bar max
Cable lengths 3m or 5m (Customer specify)
Enclosure rating = IP68
Can be supplied with extra protection for SubSea use.

HYSTAT SYSTEMS LTD

Spa Field Industrial Estate, New Street,
Slaithwaite, Huddersfield, HD7 5BB
Web Site: www.hystat.co.uk

Telephone: (01484) 845740
Fax: (01484) 842254
E-Mail: info@hystat.co.uk