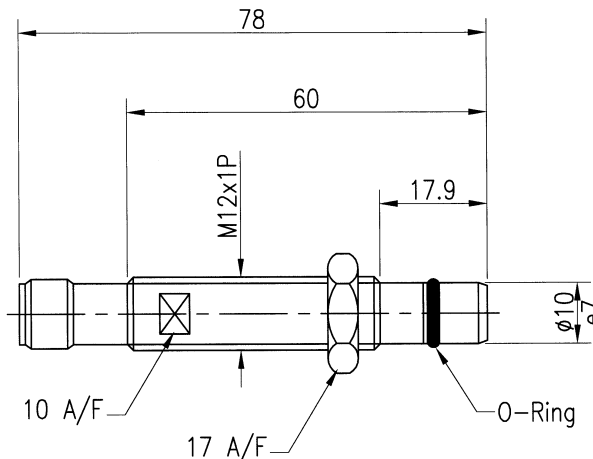


# **HYSTAT DATA SHEET**

## **Proximity Switches**

Balluff Ref: BES 516-300-S 135-S 4-D

Housing size	M12 x 1
Mounting	Flush
Rated operating distance $S_n$	1.5 mm
Assured operating distance $S_a$	0... 1.2 mm



Rated Operational voltage $U_e$	24 V DC
Supply voltage $U_B$	10...30 V DC
Voltage drop $U_d$ at $I_e$	< 1.5 V
Rated Insulation voltage $U_i$	75 V DC
Rated Operational current $I_e$	200 mA
No-load supply current $I_0$ d./und.	< 8 mA/< 1 mA
Off-state current $I_r$	< 10 $\mu$ A
Protected against polarity reversal	Yes
Short circuit/overload protected	yes/yes
Load capacity	< 0.5 $\mu$ F
Repeat accuracy R	< 5 %
Ambient temperature range $T_a$	-25...+80°C
Frequency of operating cycles f	1000 Hz
Utilization categories	DC 13
Function indication	No
Degree of protection per IEC 529	IP 68 acc. BWN Pr.20
Housing material	1.4104
Material of sensing face	Epoxy
Connection	Connector
O-ring/replacement part number	5.85 x 2.4/636594
Support ring/replacement part number	SRA 10-2.05-1.0/705918
High pressure rated up to	<b>500 bar</b>

## **HYSTAT SYSTEMS LTD**

Spa Field Industrial Estate, New Street,  
Slaithwaite, Huddersfield, HD7 5BB  
Web Site: [www.hystat.co.uk](http://www.hystat.co.uk)

Telephone: (01484) 845740  
Fax: (01484) 842254  
E-Mail: [info@hystat.co.uk](mailto:info@hystat.co.uk)