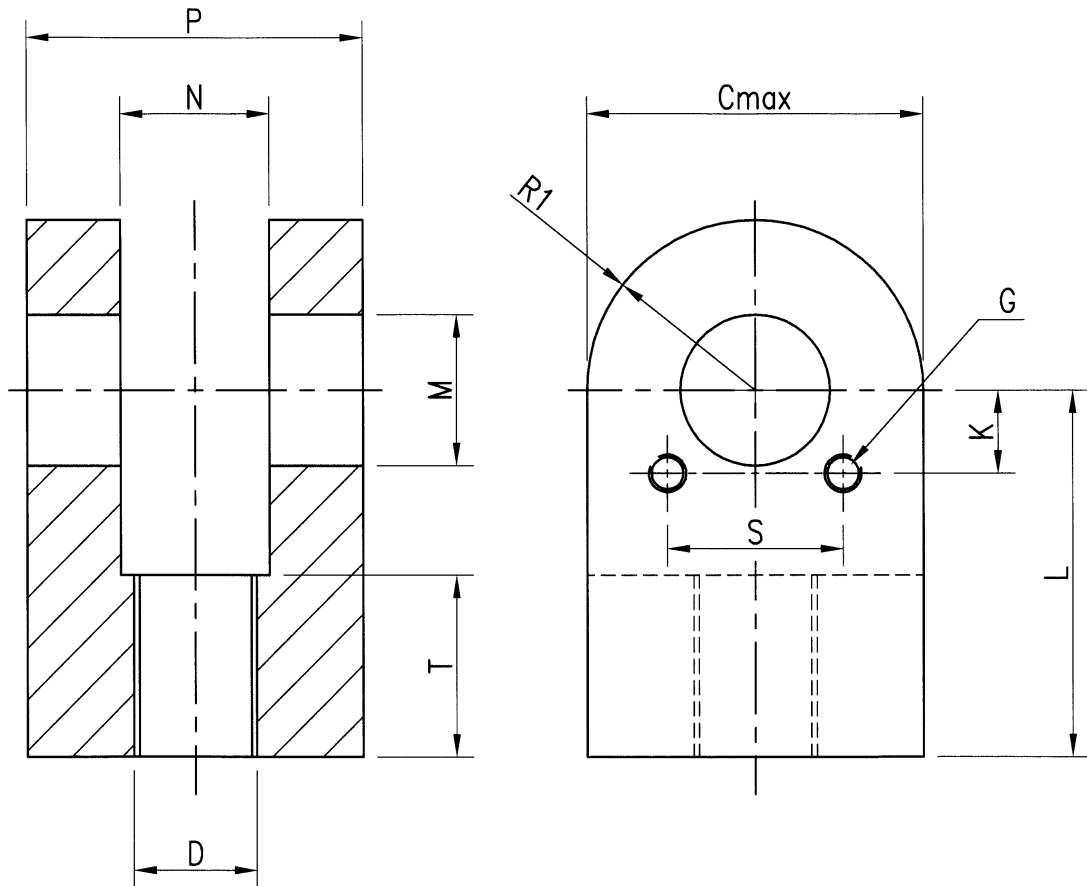


HYSTAT DATA SHEET

ROD END CLEVIS



M H9	N H12	D	P	T	L	R1	Cmax	S	K	G
20	20	M16 x 1.5	45	25	52	25	50	28	11	M6
25	25	M20 x 1.5	56	30	65	32	62	32	13	M8
32	32	M27 x 2	70	40	80	40	76	38	18	M8
40	40	M33 x 2	90	48	97	50	97	47	22	M10
50	50	M42 x 2	110	60	120	63	118	64	27	M12
63	63	M48 x 2	140	70	140	71	142	79	35	M16
80	80	M64 x 3	170	90	180	90	180	100	45	M20
100	100	M80 x 3	200	100	210	112	224	127	53	M24

Other sizes available on request from Technical Department

***HYSTAT* SYSTEMS LTD**

SPA FIELD INDUSTRIAL ESTATE, NEW STREET
SLAITHWAITE, HUDDERSFIELD HD7 5BB

TELEPHONE: (01484) 845740

FAX: (01484) 842254

E-MAIL: info@hystat.co.uk

WEB SITE: www.hystat.co.uk