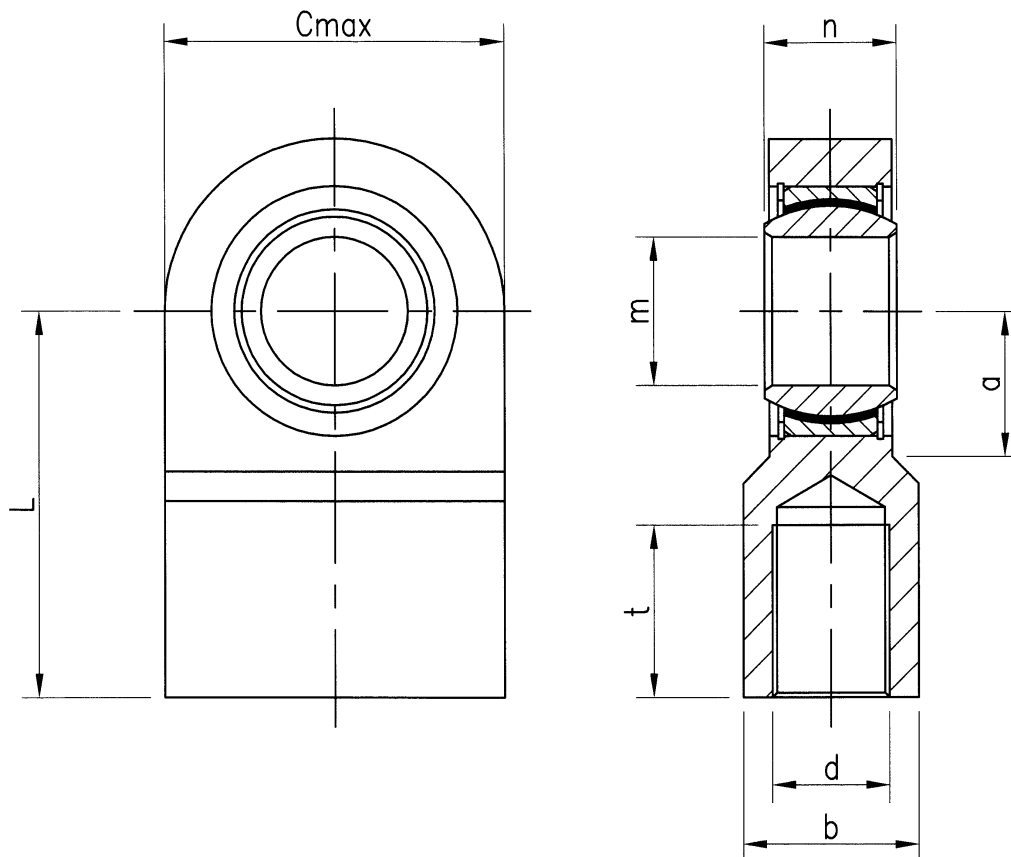


# ***HYSTAT*** DATA SHEET

## ROD EYE: MAINTENANCE FREE



m H9	n H12	d	b	t	L	Cmax	a
20	16	M16 x 1.5	25	23	52	50	22
25	20	M20 x 1.5	30	29	65	62	27
30	22	M27 x 2	40	37	80	76	32
35	25	M33 x 2	45	46	97	97	41
40	28	M33 x 2	45	46	97	97	41
50	35	M42 x 2	60	57	120	118	50
60	44	M48 x 3	70	64	140	142	62
80	55	M64 x 3	90	86	180	180	78
100	70	M80 x 3	110	96	210	224	98
120	85	M100 x 3	135	113	260	290	120
160	105	M125 x 3	165	126	310	356	150

Other intermediate sizes also available on request

***HYSTAT*** SYSTEMS LTD

SPA FIELD INDUSTRIAL ESTATE, NEW STREET  
SLAITHWAITE, HUDDERSFIELD HD7 5BB

TELEPHONE: (01484) 845740

FAX: (01484) 842254

E-MAIL: [info@hystat.co.uk](mailto:info@hystat.co.uk)

WEB SITE: [www.hystat.co.uk](http://www.hystat.co.uk)